

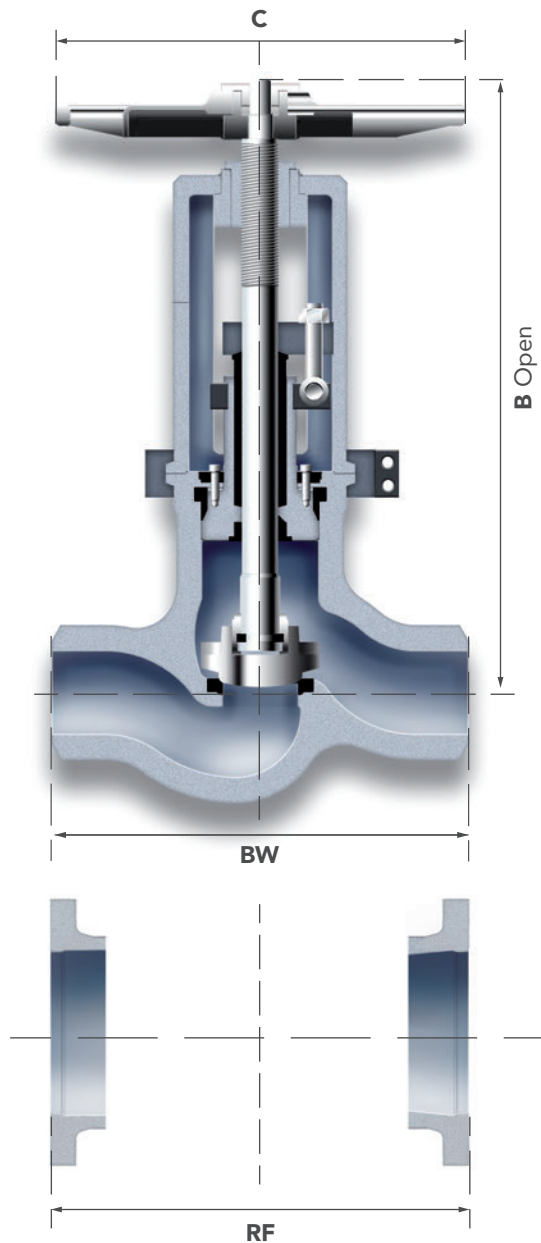
- Design:** ASME B16.34, BS 1873
- Sizes:** 2" - 24" (other sizes under request)
- ANSI Class:** 600 - 4500
- Face to Face:** ASME B16.10
- Flanged Ends:** From 2" to 24" as per ASME B16.5; above 24" as per ASME B16.47 or MSS-SP-44. Others upon request
- Butt Weld Ends:** ASME B16.25
- Test:** ASME B16.34, API 598, BS EN 12266-2 (BS 6755), ISO 5208. Others under request
- Construction / Features:**
- Plug type disc. Parabolic, needle or ball disc also available (see Code 35)
 - Allows installation in any position
 - Positive shut-off
 - Disc guiding
 - Stellite disc, seat and backseat
 - Welded or integral seat and/or backseat construction
 - Streamlined body flow areas
 - Stem guide collar to prevent stem rotation
 - Pressure seal design with clamp, easy to disassemble.
- Accessories:** Bypass, overpressure protection device, handwheel with chain, balance hole, lantern ring, belows seal, limit micro switches, spring loading packing
- Materials:** A216-WCB / WCC, A352-LCB, A217-WC6, A217-WC9, A217-C5, A217-C12, A217-C12A, A351-CF8, A351-CF3, A351-CF8M, A351-CF3M, A351-CF8C, Alloy 20, Duplex, Super Duplex, Incoloy, Monel, Inconel, Titanium
- Trim:** F6, 304, 316, Hard 410, 410 Full Hard faced, 410 and Ni-Cu, 410 and Hard faced, Monel, 316, Monel and Hard faced, 316 and Hard faced, Alloy 20, Alloy 20 & Hard faced, 304 Full Hard faced, 316 Full Hard faced, 347 Full Hard faced, Alloy 20 Full Hard faced, Alloy 625

Other trim and materials under request

Babcock Figure

ANSI 600 lbs	All sizes	ANSI 2500 lbs	All sizes
15806 Raised face	RF ends	15825 Raised face	RF ends
15706 Butt weld	BW ends	15725 Butt weld	BW ends
ANSI 900 lbs	All sizes	ANSI 4500 lbs	All sizes
15809 Raised face	RF ends	15845 Raised face	RF ends
15709 Butt weld	BW ends	15745 Butt weld	BW ends
ANSI 1500 lbs	All sizes		
15815 Raised face	RF ends		
15715 Butt weld	BW ends		

dimensions & weights chart



asme class

600

SIZE	2"	2 1/2"	3"	4"	6"	8"	10"	12"	14"	16"	18"	20"	24"
RF	292.1	330.2	355.6	431.8	558.8	660.4	787.4	838.2	889	990.5	1092.2	1193.8	1397
RJ	295.3	333.2	358.6	434.8	561.8	663.4	790.4	841.2	892.2	993.8	1095.4	1200.2	1406.6
BW	177.8	215.9	254	304.8	457.2	548.2	711.2	812.8	889	990.5	1092.2	1193.8	1397
B	425	584.2	558.8	660.4	1067	1194	1270	1270	1930	2108	2286	2489	2591
C	305	305	355	355	-	-	-	BG	BG	BG	BG	BG	BG
WEIGHT (BW)	25	30	42.5	82	192	304	494	689	1182	1640	2118	2593	3262

900

SIZE	2"	2 1/2"	3"	4"	6"	8"	10"	12"	14"	16"
RF	368.3	419	381	457.2	609.6	736.6	838.2	965.2	1028.7	-
RJ	371.5	422	384	460.2	612.6	739.6	841.2	968.2	1038.3	-
BW	368.3	419	381	457.2	609.6	736.6	838.2	965.2	1028.7	1092
B	415	507	507	656	1310	1402	1650	1710	1800	1910
C	381	381	381	-	BG	BG	BG	BG	BG	BG
WEIGHT (BW)	35	42	42	95	276	415	613	803	1436	1850

1500

SIZE	2"	2 1/2"	3"	4"	6"	8"	10"	12"	14"
RF	368.3	469.9	469.9	546	704.8	831.8	990.6	1130.3	1257.3
RJ	371.5	472.9	472.9	549	711.1	841.1	1000.2	1146	1276.3
BW	368.3	469.9	469.9	546	704.8	831.8	990.6	1130.3	1257.3
B	450	507	507	820	1310	1680	1775	1825	1875
C	-	-	-	-	BG	BG	BG	BG	BG
WEIGHT (BW)	78	90	90	152	460	750	1027	1177	1681

2500

SIZE	2"	2 1/2"	3"	4"	6"	8"	10"	12"
RF	450.9	508	577.8	673.1	914.4	1022.3	1270	1422.4
RJ	454.1	514	584	683	927	10238	1292	1444
BW	450.9	508	577.8	673.1	914.4	1022.3	1270	1422.4
B	710	824	824	810	1270	1369	1549	1600
C	-	-	-	-	BG	BG	BG	BG
WEIGHT (BW)	158	192	192	262	880	925	1400	1545

4500

SIZE	2"	2 1/2"
RF	-	-
RJ	-	-
BW	-	514.3
B	-	845
C	-	-
WEIGHT (BW)	-	450

All dimensions are shown in millimeters and weights in Kg.
 BG: Gear Actuator is recommended.