

- Design:** ASME B16.34 & API-600 or BS-1414
- Sizes:** 2" - 48" (other sizes under request)
- ANSI Class:** 150 - 2500
- Face to Face:** ASME B16.10
- Flanged Ends:** From 2" to 24" as per ASME B16.5; above 24" as per ASME B16.47 or MSS-SP-44. Others upon request
- Butt Weld Ends:** ASME B16.25
- Test:** ASME B16.34, API 598, BS EN 12266-2 (BS 6755), ISO 5208. Others under request
- Construction:**
- O.S & Y. Rising Stem
 - One Wedge with parallel discs with parallel seat rings
 - Threaded, welded or integralweat ring
 - Metal Seats
 - Bolted Bonnet
 - Manual and actuator operated (electric, pneumatic, hydraulic...)
- Accessories:** Bypass, overpressure protection device, handwheel with chain, balance hole, lantern ring, belows seal, limit micro switches, spring loading packing
- Materials:** A216-WCB / WCC, A352-LCB, A217-WC6, A217-WC9, A217-C5, A217-C12, A217-C12A, A351-CF8, A351-CF3, A351-CF8M, A351-CF3M, A351-CF8C, Alloy 20, Duplex, Super Duplex, Incoloy, Monel, Inconel, Titanium
- Trim:** F6, 304, 316, Hard 410, 410 Full Hard faced, 410 and Ni-Cu, 410 and Hard faced, Monel, 316, Monel and Hard faced, 316 and Hard faced, Alloy 20, Alloy 20 & Hard faced, 304 Full Hard faced, 316 Full Hard faced, 347 Full Hard faced, Alloy 20 Full Hard faced, Alloy 625

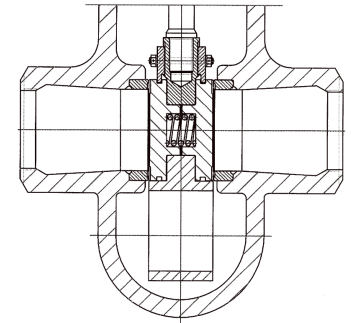
Other trim and materials under request

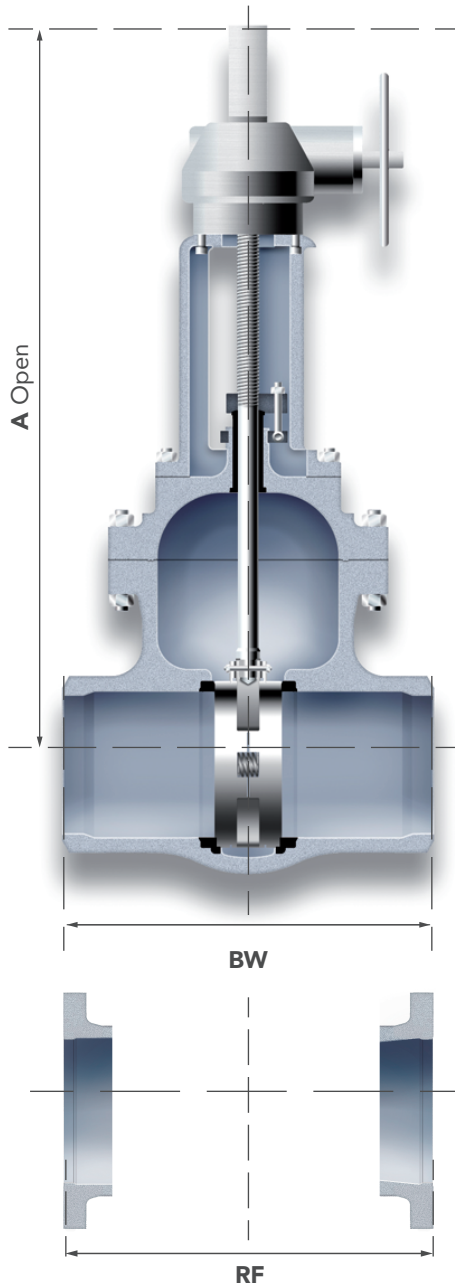
Babcock Figure

ANSI 150 lbs	All sizes	ANSI 900 lbs	All sizes
87801 Raised face	RF ends	87809 Raised face	RF ends
87701 Butt weld	BW ends	87709 Butt weld	BW ends
ANSI 300 lbs	All sizes	ANSI 1500 lbs	All sizes
87803 Raised face	RF ends	87815 Raised face	RF ends
87703 Butt weld	BW ends	87715 Butt weld	BW ends
ANSI 600 lbs	All sizes	ANSI 2500 lbs	All sizes
87806 Raised face	RF ends	87825 Raised face	RF ends
87706 Butt weld	BW ends	87725 Butt weld	BW ends

REF. CODE 88

Follower eye for very laminar flow is available on request. It avoids any trubulences an d minimizes the pressure drop.





dimensions & weights chart

asme class	SIZE	3"	4"	6"	8"	10"	12"	14"	16"	18"	20"	24"
		RF	203.2	228.6	266.7	292.1	330.2	355.6	381	406.4	431.8	457.2
150	BW	282.6	304.8	403.2	419.1	457.2	501.6	571.5	609.6	660.4	711.2	812.8
	A	636	914	1067	1143	1397	1499	1676	1803	1956	2210	2642
300	B	254	254	356	508	254	BG	BG	BG	BG	BG	BG
	WEIGHT (BW)	28	52	47	80	125	320	380	540	620	760	1200
600	WEIGHT (RF)	37	55	90	145	235	340	410	580	705	890	1400
	SIZE	3"	4"	6"	8"	10"	12"	14"	16"	18"	20"	24"
900	RF-BW	282.6	304.8	403.2	419.1	457.2	501.6	762	838.2	914.4	990.6	1143
	A	736	965	1118	1347	1550	1727	1778	2032	2235	2387	2540
150	B	254	305	356	305	BG	BG	BG	BG	BG	BG	BG
	WEIGHT (BW)	48	72	125	205	286	460	640	920	1110	1600	2520
300	WEIGHT (RF)	57	88	148	252	359	580	710	1090	1320	1900	3050
	SIZE	3"	4"	6"	8"	10"	12"	14"	16"	18"	20"	24"
600	RF	355.6	431.8	558.8	660.4	787.4	838.2	889	990.6	1092.2	1193.8	1397
	BW	254	304.8	457.2	584.2	711.2	812.8	889	990.6	1092.2	1193.8	1397
900	A	686	820	970	1220	1397	1630	1753	1981	2134	2514	2795
	B	356	356	356	BG	BG	BG	BG	BG	BG	BG	BG
150	WEIGHT (BW)	72	110	225	355	540	680	1230	1570	2020	2440	3640
	WEIGHT (RF)	94	140	275	455	675	850	1420	1990	2370	2720	4400
300	SIZE	3"	4"	6"	8"	10"	12"	14"	16"	18"	20"	24"
	RF	381	457.2	609.6	736.6	838.2	965.2	1028.7	1130.3	1219.2	1320.8	1549.4
600	BW	304.8	355.6	508	660.4	787.4	914.4	990.6	1092.2	1219.2	1320.8	1549.4
	A	712	787	1169	1321	1498	1600	1778	2133	2286	2590	2870
900	B	356	356	BG	BG	BG	BG	BG	BG	BG	BG	BG
	WEIGHT (BW)	76	125	278	540	870	1330	1910	2300	3240	410	-
150	WEIGHT (RF)	115	134	388	610	1080	1560	2175	2560	3520	4300	-

All dimensions are shown in millimeters and weights in Kg.

B: Handwheel diameter.

BG: Gear actuator is recommended.