



- Design:** ASME B16.34, BS-1873
- Sizes:** 2" - 48" (other sizes under request)
- ANSI Class:** 600 - 4500
- Face to Face:** ASME B16.10
- Flanged Ends:** From 2" to 24" as per ASME B16.5; above 24" as per ASME B16.47 or MSS-SP-44. Others upon request
- Butt Weld Ends:** ASME B16.25
- Test:** ASME B16.34, API 598, BS EN 12266-2 (BS 6755), ISO 5208. Others under request
- Construction/Features:**
- Low pressure drop
  - Excellent resistance to thermal changes
  - Quick and easy repair in the line
  - Equalizer increases disc lift
  - Seat integrally stellite
  - Disc fully guided
  - Renewable disc guide bushing
  - Drop-tight shut-off
  - Pressure seal desing with clamp, easy to disassemble
  - Narrow tapered cone seat faces
  - Stem guide collar to prevent stem rotation
  - Impact gear operator with heavy weight construction
  - A portable air wrench operating from 90 psi plant compressed air supply permits turning the valve stem
  - Combined radial and thrust bearings transmit heavy opening and closing loads
- Accessories:** Bypass, overpressure protection device, handwheel with chain, balance hole, lantern ring, belows seal, limit micro switches, spring loading packing
- Materials:** A216-WCB / WCC, A352-LCB, A217-WC6, A217-WC9, A217-C5, A217-C12, A217-C12A, A351-CF8, A351-CF3, A351-CF8M, A351-CF3M, A351-CF8C, Alloy 20, Duplex, Super Duplex, Incoloy, Monel, Inconel, Titanium
- Trim:** F6, 304, 310, Hard 410, 410 Full Hard faced, 410 and Ni-Cu, 410 and Hard faced, Monel, 316, Monel and Hard faced, 316 and Hard faced, Alloy 20, Alloy 20 & Hard faced, 304 Full Hard faced, 316 Full Hard faced, 347 Full Hard faced, Alloy 20 Full Hard faced, Alloy 625

*Other trim and materials under request*

### Babcock Figure

**ANSI 600 lbs**  
90806 Raised face  
90706 Butt weld

**All sizes**  
RF ends  
BW ends

**ANSI 2500 lbs**  
90825 Raised face  
90725 Butt weld

**All sizes**  
RF ends  
BW ends

**ANSI 900 lbs**  
90809 Raised face  
90709 Butt weld

**All sizes**  
RF ends  
BW ends

**ANSI 4500 lbs**  
90845 Raised face  
90745 Butt weld

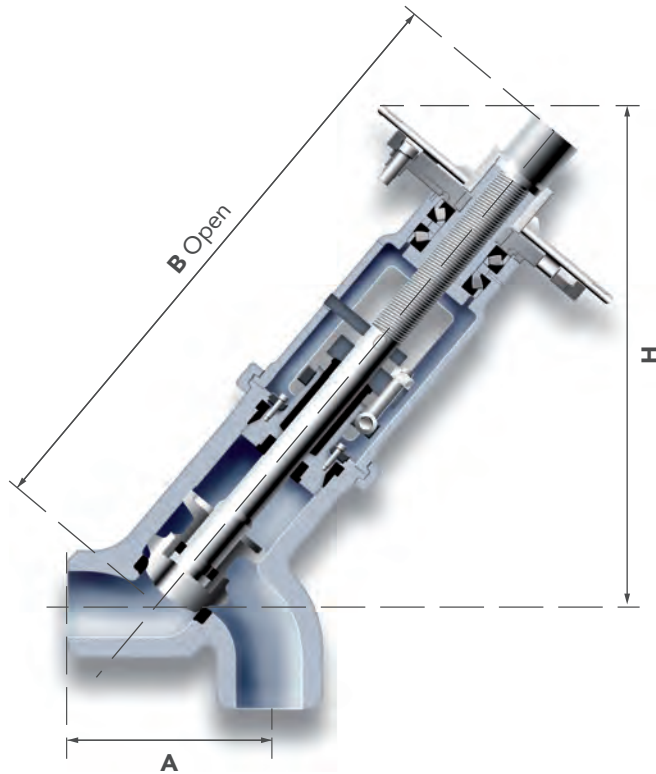
**All sizes**  
RF ends  
BW ends

**ANSI 1500 lbs**  
90815 Raised face  
90715 Butt weld

**All sizes**  
RF ends  
BW ends

## Y-ANGLE STOP-CHECK VALVES

### Elbow Down Stop-Check, Pressure Seal Code 90



#### asme class

1500	SIZE	8"	10"	12"	14"	16"
	A	521	660	717	862	914
B	1520	1875	2200	2650	3250	
H	1250	1650	1780	2000	2650	
WEIGHT	1500	2800	3100	4200	5900	

2500	SIZE	8"	10"	12"	14"	16"
	A	635	790	855	950	1020
B	1660	1930	2320	2780	3370	
H	1320	1770	1840	2110	2760	
WEIGHT	1800	3010	3350	4550	6550	

All dimensions are shown in millimeters and weights in kg.  
Operation: Impactor Wheel for valves  $\leq 4"$ .

Gear actuator or Impactor gear operator is recommended for all sizes.