

- Design:** ASME B16.34 & BS-1873
- Sizes:** 1/2" - 48" (other sizes under request)
- ANSI Class:** 150 - 2500
- Face to Face:** ASME B16.10
- Flanged Ends:** From 2" to 24" as per ASME B16.5; above 24" as per ASME B16.47 or MSS-SP-44. Others upon request
- Butt Weld Ends:** ASME B16.25
- Test:** ASME B16.34, API 598, BS EN 12266-2 (BS 6755), ISO 5208. Others under request
- Construction:**
- O.S & Rising Stem
 - Plug type disc. Parabolic, needle or ball disc also available (see Code 32)
 - Threaded, Welded or integral Seat Ring
 - Metal Seats
 - Bolted Bonnet
 - Manual and actuator operated (gear, electric, pneumatic, hydraulic...)
- Accessories:** Overpressure protection device, handwheel with chain, blowing device, stem extension with floor stand and universal joint, bellows seal, limit micro switches, spring loading packing
- Materials:** A216-WCB / WCC, A352-LCB, A217-WC6, A217-WC9, A217-C5, A217-C12, A217-C12A, A351-CF8, A351-CF3, A351-CF8M, A351-CF3M, A351-CF8C, Alloy 20, Duplex, Super Duplex, Incoloy, Monel, Inconel, Titanium
- Trim:** F6, 304, 316, Hard 410, 410 Full Hard faced, 410 and Ni-Cu, 410 and Hard faced, Monel, 316, Monel and Hard faced, 316 and Hard faced, Alloy 20, Alloy 20 & Hard faced, 304 Full Hard faced, 316 Full Hard faced, 347 Full Hard faced, Alloy 20 Full Hard faced, Alloy 625

Other trim and materials under request

Babcock Figure

ANSI 150 lbs
 12801 Raised face
 12701 Butt weld

All sizes
 RF ends
 BW ends

ANSI 900 lbs
 12809 Raised face
 12709 Butt weld

All sizes
 RF ends
 BW ends

ANSI 300 lbs
 12803 Raised face
 12703 Butt weld

All sizes
 RF ends
 BW ends

ANSI 1500 lbs
 12815 Raised face
 12715 Butt weld

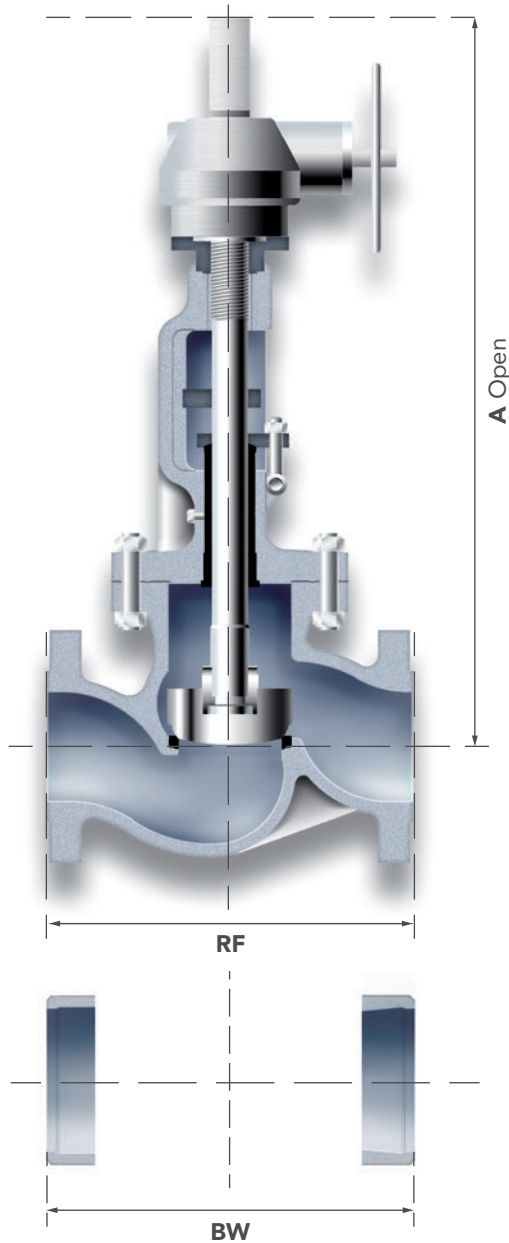
All sizes
 RF ends
 BW ends

ANSI 600 lbs
 12806 Raised face
 12706 Butt weld

All sizes
 RF ends
 BW ends

ANSI 2500 lbs
 12825 Raised face
 12725 Butt weld

All sizes
 RF ends
 BW ends



dimensions & weights chart

asme class	SIZE	dimensions & weights chart												
		2"	2 1/2"	3"	4"	6"	8"	10"	12"	14"	16"	18"	20"	24"
150	RF-BW	203.2	215.9	241.3	292.1	406.4	495.3	622.3	698.5	787.4	914.4	1111	1270	1295.4
	A	311	435	451	546	570	940	965	1143	1168	1194	1397	1727	1778
	B	178	204	305	381	457	609	BG	BG	BG	BG	BG	BG	BG
	WEIGHT (BW)	16	22	31	46	79	128	246	427	570	830	1062	1557	2077
	WEIGHT (RF)	19	26	39	61	102	151	285	504	607	877	1147	1647	2197
300	SIZE	2"	2 1/2"	3"	4"	6"	8"	10"	12"	14"	16"	18"	20"	24"
	RF-BW	266.7	292.1	317.5	355.6	444.5	558.8	622.3	711.2	965.2	1193.8	1270	1371.6	1473.2
	A	324	435	451	546	670	940	1270	1295	1321	1499	1753	1905	2007
	B	178	204	305	381	457	610	BG	BG	BG	BG	BG	BG	BG
	WEIGHT (BW)	23	25	41	65	135	225	326	615	-	-	-	-	-
WEIGHT (RF)	28	40	54	83	165	277	382	721	873	1197	1597	2097	3147	
600	SIZE	2"	2 1/2"	3"	4"	6"	8"	10"	12"	14"	16"	18"	20"	24"
	RF-BW	292.1	330.2	355.6	431.8	558.8	660.4	787.4	838.2	889	990.6	1092.2	1270	1473.2
	A	380	525	540	590	680	1020	1270	1524	1930	2108	2286	2490	2590
	B	254	305	381	405	610	610	BG	BG	BG	BG	BG	BG	BG
	WEIGHT (BW)	30	45	58	92	321	504	726	1082	1292	1522	-	-	-
WEIGHT (RF)	31	53	65	117	346	529	751	1097	1317	1547	-	-	-	
900	SIZE	2"	2 1/2"	3"	4"	6"	8"	10"	12"	14"	16"	18"	20"	24"
	RF	368.3	-	381	457.2	609.6	736.6	838.2	965.2	1028.7	1130.3	1219.2	1320.8	1549.4
	BW	368.3	-	304.8	355.6	508	660.4	787.4	914.4	990.6	1092.2	1219.2	1320.8	1549.4
	A	510	-	712	787	1169	1321	1498	1600	1778	2133	2286	2590	2870
	B	381	-	356	356	457	BG	BG	BG	BG	BG	BG	BG	BG
WEIGHT (BW)	72	91	102	257	337	662	1197	1357	-	-	-	-	-	
WEIGHT (RF)	97	115	127	290	461	742	1297	1447	-	-	-	-	-	
1500	SIZE	2"	2 1/2"	3"	4"	6"	8"	10"	12"	14"	16"	18"	20"	24"
	RF	368.3	-	469.9	546.1	704.8	831.8	990.6	1130.3	1257.3	1384.3	1536.7	1663.7	1943.1
	BW	368.3	-	304.8	406.4	558.8	711.2	863.6	990.6	1066.8	1193.8	1346.2	1473.2	1943.1
	A	510	-	762	991	1220	1372	1524	1651	1880	2185	2413	2642	2921
	B	381	-	356	508	BG	BG	BG	BG	BG	BG	BG	BG	BG
WEIGHT (BW)	81	112	181	174	712	612	-	-	-	-	-	-	-	
WEIGHT (RF)	109	138	225	333	819	717	-	-	-	-	-	-	-	

All dimensions are shown in millimeters and weights in Kg.

B: Handwheel diameter.

BG: Gear Actuator is recommended.