

- Design:** ASME B16.34 & BS-1873
- Sizes:** 1/2" - 48" (other sizes under request)
- ANSI Class:** 150 - 2500
- Face to Face:** ASME B16.10
- Flanged Ends:** From 2" to 24" as per ASME B16.5; above 24" as per ASME B16.47 or MSS-SP-44. Others upon request
- Butt Weld Ends:** ASME B16.25
- Test:** ASME B16.34, API 598, BS EN 12266-2 (BS 6755), ISO 5208. Others under request
- Construction:**
- O.S & Rising Stem
 - Needle / Parabolic / Ball type disc. Plug disc also available (see Code 12)
 - Threaded, Welded or integral Seat Ring
 - Metal Seats
 - Bolted Bonnet
 - Manual and actuator operated (gear, electric, pneumatic, hydraulic...)
- Accessories:** Overpressure protection device, handwheel with chain, blowing device, stem extension with floor stand and universal joint, bellows seal, limit micro switches, spring loading packing
- Materials:** A216-WCB / WCC, A352-LCB, A217-WC6, A217-WC9, A217-C5, A217-C12, A217-C12A, A351-CF8, A351-CF3, A351-CF8M, A351-CF3M, A351-CF8C, Alloy 20, Duplex, Super Duplex, Incoloy, Monel, Inconel, Titanium
- Trim:** F6, 304, 310, Hard 410, 410 Full Hard faced, 410 and Ni-Cu, 410 and Hard faced, Monel, 316, Monel and Hard faced, 316 and Hard faced, Alloy 20, Alloy 20 & Hard faced, 304 Full Hard faced, 316 Full Hard faced, 347 Full Hard faced, Alloy 20 Full Hard faced, Alloy 625

Other trim and materials under request

Babcock Figure

ANSI 150 lbs
32801 Raised face
32701 Butt weld

All sizes
RF ends
BW ends

ANSI 900 lbs
32809 Raised face
32709 Butt weld

All sizes
RF ends
BW ends

ANSI 300 lbs
32803 Raised face
32703 Butt weld

All sizes
RF ends
BW ends

ANSI 1500 lbs
32815 Raised face
32715 Butt weld

All sizes
RF ends
BW ends

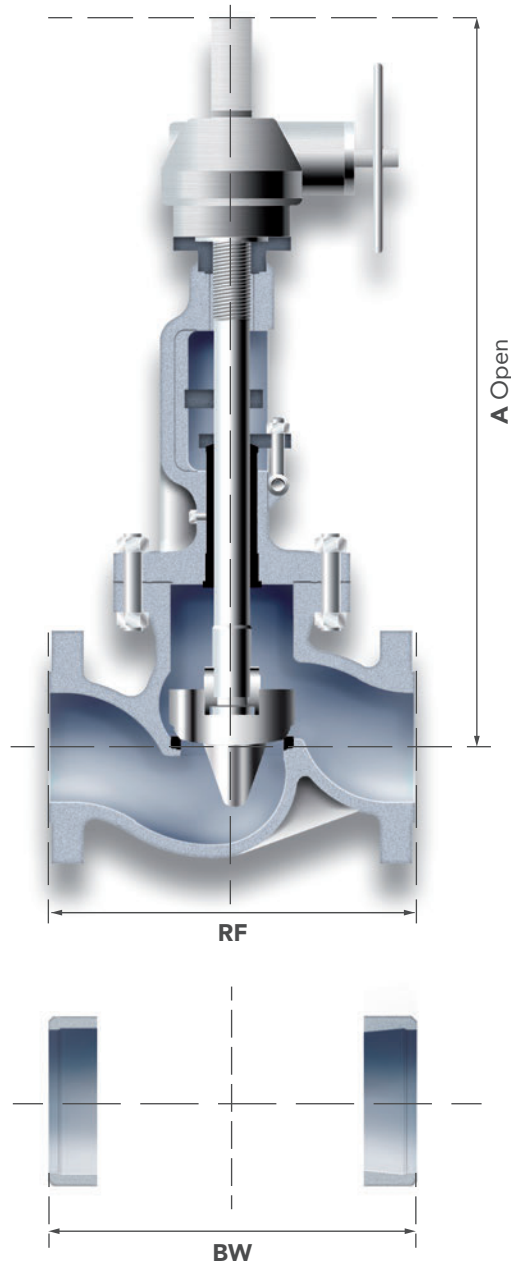
ANSI 600 lbs
32806 Raised face
32706 Butt weld

All sizes
RF ends
BW ends

ANSI 2500 lbs
32825 Raised face
32725 Butt weld

All sizes
RF ends
BW ends

dimensions & weights chart



asme class

asme class	SIZE	2"	2 1/2"	3"	4"	6"	8"	10"	12"	14"	16"	18"	20"	24"	
150	RF-BW	203.2	215.9	241.3	292.1	406.4	495.3	622.3	698.5	787.4	914.4	1111	1270	1295.4	
	A	311	435	451	546	570	940	965	1143	1168	1194	1397	1727	1778	
	B	178	204	305	381	457	609	BG	BG	BG	BG	BG	BG	BG	BG
	WEIGHT (BW)	16	22	31	46	79	128	246	427	570	830	1062	1557	2077	
	WEIGHT (RF)	19	26	39	61	102	151	285	504	607	877	1147	1647	2197	
300	SIZE	2"	2 1/2"	3"	4"	6"	8"	10"	12"	14"	16"	18"	20"	24"	
	RF-BW	266.7	292.1	317.5	355.6	444.5	558.8	622.3	711.2	965.2	1193.8	1270	1371.6	1473.2	
	A	324	435	451	546	670	940	1270	1295	1321	1499	1753	1905	2007	
	B	178	204	305	381	457	610	BG	BG	BG	BG	BG	BG	BG	
	WEIGHT (BW)	23	25	41	65	135	225	326	615	-	-	-	-	-	
600	SIZE	2"	2 1/2"	3"	4"	6"	8"	10"	12"	14"	16"	18"	20"	24"	
	RF-BW	292.1	330.2	355.6	431.8	558.8	660.4	787.4	838.2	889	990.6	1092.2	1270	1473.2	
	A	380	525	540	590	680	1020	1270	1524	1930	2108	2286	2490	2590	
	B	254	305	381	405	610	610	BG	BG	BG	BG	BG	BG	BG	
	WEIGHT (BW)	30	45	58	92	321	504	726	1082	1292	1522	-	-	-	
900	SIZE	2"	2 1/2"	3"	4"	6"	8"	10"	12"	14"	16"	18"	20"	24"	
	RF	368.3	-	381	457.2	609.6	736.6	838.2	965.2	1028.7	1130.3	1219.2	1320.8	1549.4	
	BW	368.3	-	304.8	355.6	508	660.4	787.4	914.4	990.6	1092.2	1219.2	1320.8	1549.4	
	A	510	-	712	787	1169	1321	1498	1600	1778	2133	2286	2590	2870	
	B	381	-	356	356	457	BG	BG	BG	BG	BG	BG	BG	BG	
1500	SIZE	2"	2 1/2"	3"	4"	6"	8"	10"	12"	14"	16"	18"	20"	24"	
	RF	368.3	-	469.9	546.1	704.8	831.8	990.6	1130.3	1257.3	1384.3	1536.7	1663.7	1943.1	
	BW	368.3	-	304.8	406.4	558.8	711.2	863.6	990.6	1066.8	1193.8	1346.2	1473.2	1943.1	
	A	510	-	762	991	1220	1372	1524	1651	1880	2185	2413	2642	2921	
	B	381	-	356	508	BG	BG	BG	BG	BG	BG	BG	BG	BG	
1500	WEIGHT (BW)	81	112	181	174	712	612	-	-	-	-	-	-	-	
	WEIGHT (RF)	109	138	225	333	819	717	-	-	-	-	-	-	-	

All dimensions are shown in milimeters and wieghts in Kg.
 B: Handwheel diameter.
 BG: Gear actuator is recommended.