

- Design:** ASME B16.34 & BS-1873
- Sizes:** 2" - 48" (other sizes under request)
- ANSI Class:** 150 - 2500
- Face to Face:** ASME B16.10
- Flanged Ends:** From 2" to 24" as per ASME B16.5; above 24" as per ASME B16.47 or MSS-SP-44. Others upon request
- Butt Weld Ends:** ASME B16.25
- Test:** ASME B16.34, API 598, BS EN 12266-2 (BS 6755), ISO 5208. Others under request
- Construction:**
- O.S & Rising Stem
 - Parabolic, needle or ball type disc. Plug disc also available (see Code 92)
 - Threaded, Welded or integral Seat Ring
 - Metal Seats
 - Bolted Bonnet
 - Angle design
 - Manual and actuator operated (gear, electric, pneumatic, hydraulic...)
- Accessories:** Overpressure protection device, handwheel with chain, blowing device, stem extension with floor stand and universal joint, bellows seal, limit micro switches, spring loading packing
- Materials:** A216-WCB / WCC, A352-LCB, A217-WC6, A217-WC9, A217-C5, A217-C12, A217-C12A, A351-CF8, A351-CF3, A351-CF8M, A351-CF3M, A351-CF8C, Alloy 20, Duplex, Super Duplex, Incoloy, Monel, Inconel, Titanium
- Trim:** F6, 304, 310, Hard 410, 410 Full Hard faced, 410 and Ni-Cu, 410 and Hard faced, Monel, 316, Monel and Hard faced, 316 and Hard faced, Alloy 20, Alloy 20 & Hard faced, 304 Full Hard faced, 316 Full Hard faced, 347 Full Hard faced, Alloy 20 Full Hard faced, Alloy 625

Other trim and materials under request

Babcock Figure

ANSI 150 lbs All sizes
98801 Angle. Raised face RF ends
98701 Angle. Butt weld BW ends

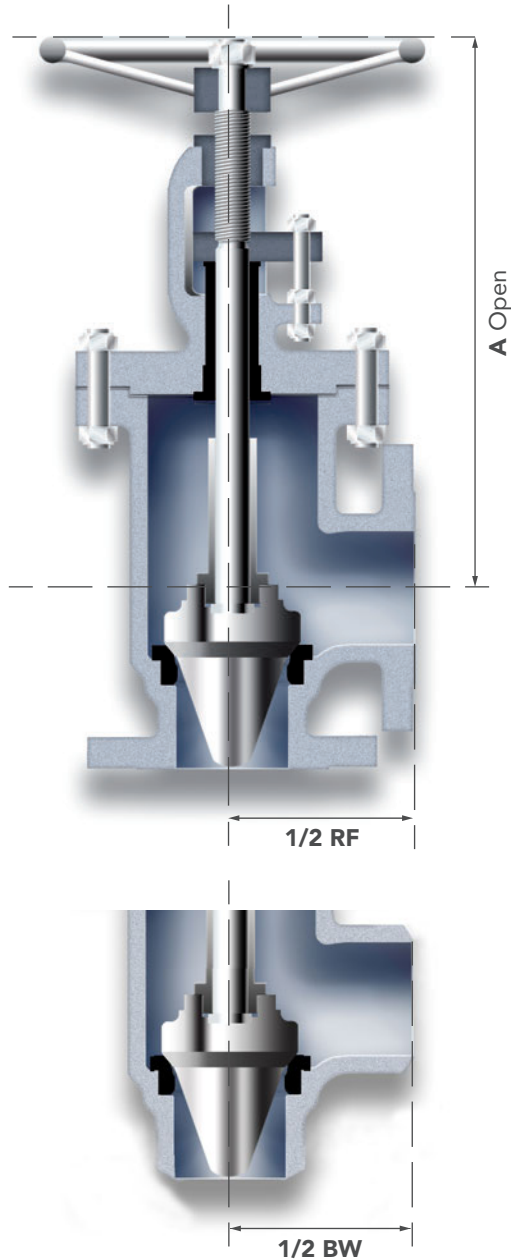
ANSI 300 lbs All sizes
98803 Angle. Raised face RF ends
98703 Angle. Butt weld BW ends

ANSI 600 lbs All sizes
98806 Angle. Raised face RF ends
98706 Angle. Butt weld BW ends

ANSI 900 lbs All sizes
98809 Angle. Raised face RF ends
98709 Angle BW ends

ANSI 1500 lbs All sizes
98815 Angle. Raised face RF ends
98715 Angle

ANSI 2500 lbs All sizes
98825 Angle. Raised face RF ends
98725 Angle BW ends



dimensions & weights chart

asme class		2"	2 1/2"	3"	4"	6"	8"	10"	12"	14"	16"	18"	20"	24"
150	SIZE	2"	2 1/2"	3"	4"	6"	8"	10"	12"	14"	16"	18"	20"	24"
	RF-BW	203.2	215.9	241.3	292.1	406.4	495.3	622.3	698.5	787.4	914.4	1270	1270	1473.2
	A	420	435	483	533	711	940	965	1143	1168	1194	1397	1727	1778
	B	204	204	254	254	381	381	BG	BG	BG	BG	BG	BG	BG
	WEIGHT (BW)	16	22	31	46	79	128	246	427	570	830	1062	1557	2077
	WEIGHT (RF)	19	26	39	61	102	151	285	504	607	877	1147	1647	2197
300	SIZE	2"	2 1/2"	3"	4"	6"	8"	10"	12"	14"	16"	18"	20"	24"
	RF-BW	266.7	292.1	317.5	355.6	444.5	558.8	622.3	711.2	965.2	1193.8	1270	1371.6	1473.2
	A	430	435	533	610	711	1067	1270	1295	1321	1499	1753	1905	2007
	B	204	204	254	381	457	457	BG	BG	BG	BG	BG	BG	BG
	WEIGHT (BW)	23	25	41	65	135	225	326	615	-	-	-	-	-
	WEIGHT (RF)	28	40	54	83	165	277	382	721	873	1197	1597	2097	3147
600	SIZE	2"	2 1/2"	3"	4"	6"	8"	10"	12"	14"	16"	18"	20"	24"
	RF-BW	292.1	330.2	355.6	431.8	558.8	660.4	787.4	838.2	889	990.6	1092.2	1270	1473.2
	A	450	525	559	660	1067	1194	1270	1524	1930	2108	2286	2490	2590
	B	254	305	381	381	457	534	BG	BG	BG	BG	BG	BG	BG
	WEIGHT (BW)	30	45	58	92	321	504	726	1082	1292	1522	-	-	-
	WEIGHT (RF)	31	53	65	117	346	529	751	1097	1317	1547	-	-	-
900	SIZE	2"	2 1/2"	3"	4"	6"	8"	10"	12"	14"	16"	18"	20"	24"
	RF	368.3	419.1	381	457.2	609.6	736.6	838.2	965.2	1028.7	1320.8	1473.2	1651	1981.2
	BW	368.3	419.1	304.8	355.6	508	660.4	787.4	914.4	990.6	1320.8	1473.2	1651	1981.2
	A	580	600	610	873	991	1168	1448	1499	1550	1830	2032	2286	2540
	B	356	457	457	457	534	BG	BG	BG	BG	BG	BG	BG	BG
	WEIGHT (BW)	72	91	102	257	337	662	1197	1357	-	-	-	-	-
WEIGHT (RF)	97	115	127	290	461	742	1297	1447	-	-	-	-	-	
1500	SIZE	2"	2 1/2"	3"	4"	6"	8"	10"	12"	14"	16"	18"	20"	24"
	RF-BW	368.3	419.1	469.9	546.1	704.9	831.9	990.6	1130.3	1257.3	1320.8	1371.6	1473.2	1727.2
	A	525	575	660	711	1143	1194	1500	1550	1600	1880	2083	2337	2540
	B	356	457	457	457	BG	BG	BG	BG	BG	BG	BG	BG	BG
	WEIGHT (BW)	81	112	181	174	712	612	-	-	-	-	-	-	-
	WEIGHT (RF)	109	138	225	333	819	717	-	-	-	-	-	-	-

All dimensions are shown in milimeters and weights in Kg.

B: Handwheel diameter.

BG: Gear Actuator is recommended.