



- Design:** ASME B16.34 or BS-1868
- Sizes:** 2" - 48" (other sizes under request)
- ANSI Class:** 150 - 2500
- Face to Face:** ASME B16.10
- Flanged Ends:** From 2" to 24" as per ASME B16.5; above 24" as per ASME B16.47 or MSS-SP-44. Others upon request
- Butt Weld Ends:** ASME B16.25
- Test:** ASME B16.34, API 598, BS EN 12266-2 (BS 6755), ISO 5208. Others under request
- Construction:**
- Tilting type disc
 - Bolted Cover
- Materials:** A216-WCB / WCC, A352-LCB, A217-WC6, A217-WC9, A217-C5, A217-C12, A217-C12A, A351-CF8, A351-CF3, A351-CF8M, A351-CF3M, A351-CF8C, Alloy 20, Duplex, Super Duplex, Incoloy, Monel, Inconel, Titanium
- Trim:** F6, 304, 310, Hard 410, 410 Full Hard faced, 410 and Ni-Cu, 410 and Hard faced, Monel, 316, Monel and Hard faced, 316 and Hard faced, Alloy 20, Alloy 20 & Hard faced, 304 Full Hard faced, 316 Full Hard faced, 347 Full Hard faced, Alloy 20 Full Hard faced, Alloy 625

Other trim and materials under request

Babcock Figure

ANSI 150 lbs
02801 Raised face
12701 Butt welded

All sizes
RF ends
BW ends

ANSI 900 lbs
02809 Raised face
02709 Butt weld

All sizes
RF ends
BW ends

ANSI 300 lbs
02803 Raised face
02703 Butt welded

All sizes
RF ends
BW ends

ANSI 1500 lbs
02815 Raised face
02715 Butt weld

All sizes
RF ends

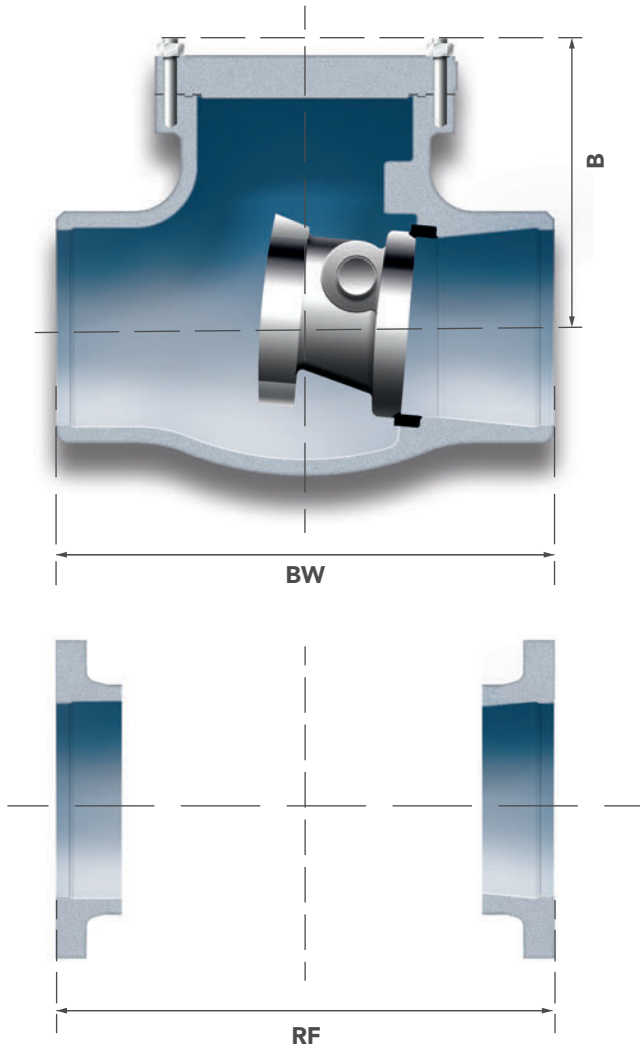
ANSI 600 lbs
02806 Raised face
02706 Butt welded

All sizes
RF ends
BW ends

ANSI 2500 lbs
02825 Raised face
02725 Butt weld

All sizes
RF ends
BW ends

dimensions & weights chart



asme class	SIZE											
		3"	4"	6"	8"	10"	12"	14"	16"	18"	20"	24"
150	RF-BW	241.3	292.1	355.6	495.3	622.3	698.5	787.4	863.6	977.9	977.9	1295
	B	178	190	227	254	318	343	381	445	457	533	584
	WEIGHT (BW)	19	33	56	93	141	229	292	460	561	438	846
	WEIGHT (RF)	29	44	78	128	175	280	388	535	625	840	985
300	SIZE	3"	4"	6"	8"	10"	12"	14"	16"	18"	20"	24"
	RF-BW	317.5	355.6	444.5	533.4	622.3	711.2	838.2	863.6	977.9	1016	1346
	B	178	190	254	292	343	445	457	457	508	546	584
	WEIGHT (BW)	32	61	104	155	240	419	458	712	760	672	1782
600	SIZE	3"	4"	6"	8"	10"	12"	14"	16"	18"	20"	24"
	RF-BW	355.6	431.8	558.8	660.4	787.4	838.2	889	990.6	1092.2	1193.8	1397
	B	235	296	380	410	508	552	648	673	698	862	990
	WEIGHT (BW)	46	66	149	261	385	599	675	927	1310	1786	3486
900	SIZE	3"	4"	6"	8"	10"	12"	14"	16"	18"	20"	24"
	RF	381	457.2	609.6	736.6	838.2	965.2	1028.7	1130.3	1219.2	1320.8	1549.4
	BW	304.8	355.6	508	660.4	787.4	914.4	990.6	1092.2	1219.2	1320.8	1549.4
	B	177.8	177.8	304.8	304.8	330.2	381	406.4	533.4	571.5	660.4	711.2
1500	WEIGHT (BW)	72	116	236	382	630	897	1139	1601	2610	3520	4620
	WEIGHT (RF)	119	160	310	609	826	1151	1383	1888	2986	3920	6160
	SIZE	3"	4"	6"	8"	10"	12"	14"	16"	18"	20"	24"
	RF	469.9	546.1	704.9	831.9	990.6	1130.3	1257.3	1384.3	1536.7	1663.7	1943.1
2500	BW	304.8	406.4	558.8	711.2	863.6	990.6	1066.8	1193.8	1536.7	1663.7	1943.1
	B	187.2	187.2	356	391.9	484.3	520.3	535	692	725	810	895
	WEIGHT (BW)	120	198	459	741	998	1770	2275	3480	5280	7410	8340
	WEIGHT (RF)	156	261	553	1080	1470	2230	1040	4470	6140	7960	9730
2500	SIZE	3"	4"	6"	8"	10"	12"	14"	16"	18"	20"	24"
	RF	577.8	673.1	914.4	1022.3	-	-	-	-	-	-	-
	BW	368.3	457.2	609.6	762	-	-	-	-	-	-	-
	B	205	208	360	440	-	-	-	-	-	-	-
2500	WEIGHT (BW)	175	325	750	1300	-	-	-	-	-	-	-
	WEIGHT (RF)	225	375	950	1800	-	-	-	-	-	-	-

All dimensions are shown in millimeters and weights in Kg.