

- Design:** ASME B16.34 & API6D or BS-1868
- Sizes:** 2" - 48" (other sizes under request)
- ANSI Class:** 600 - 4500
- Face to Face:** ASME B16.10 & API6D
- Flanged Ends:** From 2" to 24" as per ASME B16.5; above 24" as per ASME B16.47 or MSS-SP-44. Others upon request
- Butt Weld Ends:** ASME B16.25
- Test:** API 6D, ASME B16.34, API 598, BS EN 12266-2 (BS 6755), ISO 5208. Others under request
- Construction:**
- Tilting disc type
  - Threaded, welded or integral seat ring
  - Pressure seal desing
- Accessories:** Internal shaft. blowing device. check valve with external lever and counterweight. adjustable non return / check valve. dashpot
- Materials:** A216-WCB / WCC. A352-LCB. A217-WC6. A217-WC9. A217-C5. A217-C12. A217-C12A. A351-CF8. A351-CF3. A351-CF8M. A351-CF3M. A351-CF8C. Alloy 20. Duplex. Super Duplex. Incoloy. Monel. Inconel. Titanium
- Trim:** F6. 304. 316. Hard 410. 410 Full Hard faced. 410 and Ni-Cu. 410 and Hard faced. Monel. 316. Monel and Hard faced. 316 and Hard faced. Alloy 20. Alloy 20 & Hard faced. 304 Full Hard faced. 316 Full Hard faced. 347 Full Hard faced. Alloy 20 Full Hard faced. Alloy 625

*Other trim and materials under request*

**Babcock Figure**

**ANSI 600 lbs**  
05806 Raised face  
05706 Butt weld

**All sizes**  
RF ends  
BW ends

**ANSI 2500 lbs**  
05825 Raised face  
05725 Butt weld

**All sizes**  
RF ends  
BW ends

**ANSI 900 lbs**  
05809 Raised face  
05709 Butt weld

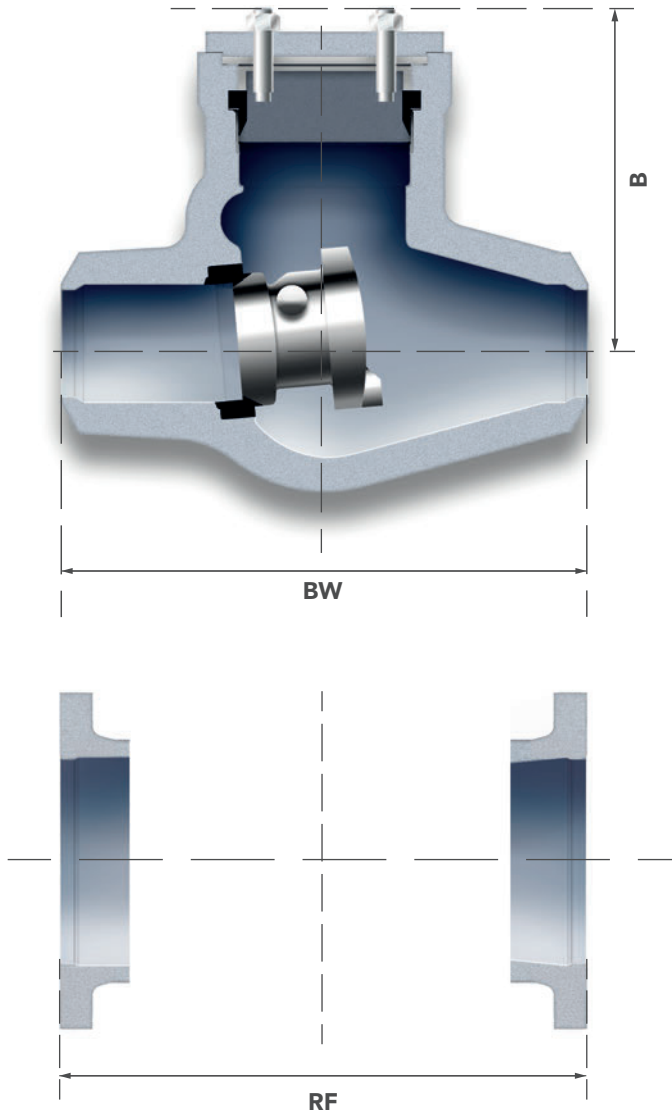
**All sizes**  
RF ends  
BW ends

**ANSI 4500 lbs**  
05845 Raised face  
05745 Butt weld

**All sizes**  
RF ends  
BW ends

**ANSI 1500 lbs**  
05815 Raised face  
05715 Butt weld

**All sizes**  
RF ends  
BW ends



### dimensions & weights chart

asme class	SIZE	600												
		2"	2½"	3"	4"	6"	8"	10"	12"	14"	16"	18"	20"	24"
600	RF	292.1	330.2	355.6	431.8	558.8	660.4	787.4	838.2	889	990.5	1092.2	1193.8	1397
	RJ	295.3	333.2	358.6	434.8	561.8	663.4	790.4	841.2	892.2	993.8	1095.4	1200.2	1406.6
	BW	177.8	215.9	254	304.8	457.2	584.2	711.2	812.8	889	990.5	1092.2	1193.8	1397
	B	102	127	178	228	330	356	457	508	584	610	635	787	914
	WEIGHT (BW)	18	27	34	57	133	257	370	492	655	855	1130	1470	2050
	WEIGHT (RF)	28	37	58	86	153	347	490	362	875	1125	1470	1900	2550
900	SIZE	2"	2½"	3"	4"	6"	8"	10"	12"	14"	16"	18"	20"	24"
	RF	368.3	419.1	381	457.2	609.6	736.6	838.2	965.2	1028.7	1130.3	1219.2	1320.8	1549.4
	RJ	371.3	422.1	384	460.2	612.6	739.6	841.2	968.2	1038.3	1140	1231.9	133.5	1568.4
	BW	368.3	254	304.8	355.6	508	660.4	787.4	914.4	990.6	1092.2	1168.4	1270	1498.6
	B	270	188	222	244	294	363	428	493	558	620	687	753	826
	WEIGHT (BW)	22	33	38	70	170	462	715	1053	1280	1415	1850	2360	2860
	WEIGHT (RF)	42	53	60	11	243	592	890	1353	1610	1750	2260	2960	4040
1500	SIZE	2"	2½"	3"	4"	6"	8"	10"	12"	14"	16"	18"	20"	24"
	RF	368.3	419.1	469.9	546	704.8	831.8	990.6	1130.3	1257.3	1384.3	1536.7	1663.7	1943.1
	RJ	371.5	422.1	472.9	549	711.1	841.4	100.2	1146	1276.3	1364	1559	1686	1971.4
	BW	215.9	254	304.8	406.4	558.8	711.2	863.5	990.6	1066.8	1193.8	1346.7	1473.2	1727.2
	B	156	188	222	258	380	453	570	609	644	690	735	780	826
	WEIGHT (BW)	24	38	51	77	242	505	795	1205	1525	1660	2230	2580	3480
	WEIGHT (RF)	44	63	101	152	372	660	1100	1655	2125	2800	3280	4080	5780
2500	SIZE	2"	2½"	3"	4"	6"	8"	10"	12"	14"	16"	18"	20"	24"
	RF	450.9	508	577.8	673.1	914.4	1022.3	1270	1422.4	-	-	-	-	-
	RJ	454.1	514	584	683	927	1038	1292	1444	-	-	-	-	-
	BW	279.4	330.2	368.3	457.2	609.6	762	914.4	1041.4	1118	1244.5	-	-	-
	B	186	227	284	340	426	530	660	660	722	835	-	-	-
	WEIGHT (BW)	58	81	95	152	288	630	805	1550	2430	3150	-	-	-
	WEIGHT (RF)	91	126	166	287	603	1065	1710	2830	3250	3950	-	-	-

All dimensions are shown in milimeters and weights in Kg.