

- Design:** ASME B16.34 & API-600 or BS-1414
- Sizes:** 2" - 48" (other sizes under request)
- ANSI Class:** 600 - 4500
- Face to Face:** ASME B16.10
- Flanged Ends:** From 2" to 24" as per ASME B16.5; above 24" as per ASME B16.47 or MSS-SP-44. Others upon request
- Butt Weld Ends:** ASME B16.25
- Test:** ASME B16.34, API 598, BS EN 12266-2 (BS 6755), ISO 5208. Others under request
- Construction:**
- O.S & Y. Rising Stem
 - Flexible wedge. Double Disc (see code 85) and Parallel Slide designs (see code 89) also available
 - Threaded, Welded or integral Seat Ring
 - Metal Seats
 - Pressure seal desing with clamp, easy to disassemble
 - Manual and actuator operated (electric, pneumatic, hydraulic...)
- Accessories:** Bypass, overpressure protection device, handwheel with chain, balance hole, lantern ring, belows seal, limit micro switches, spring loading packing
- Materials:** A216-WCB / WCC, A352-LCB, A217-WC6, A217-WC9, A217-C5, A217-C12, A217-C12A, A351-CF8, A351-CF3, A351-CF8M, A351-CF3M, A351-CF8C, Alloy 20, Duplex, Super Duplex, Incoloy, Monel, Inconel, Titanium
- Trim:** F6, 304, 310, Hard 410, 410 Full Hard faced, 410 and Ni-Cu, 410 and Hard faced, Monel, 316, Monel and Hard faced, 316 and Hard faced, Alloy 20, Alloy 20 & Hard faced, 304 Full Hard faced, 316 Full Hard faced, 347 Full Hard faced, Alloy 20 Full Hard faced, Alloy 625

Other trim and materials under request

Babcock Figure

ANSI 600 lbs
25806 Raised face
25706 Butt weld

All sizes
RF ends
BW ends

ANSI 2500 lbs
25825 Raised face
25725 Butt weld

All sizes
RF ends
BW ends

ANSI 900 lbs
25809 Raised face
25709 Butt weld

All sizes
RF ends
BW ends

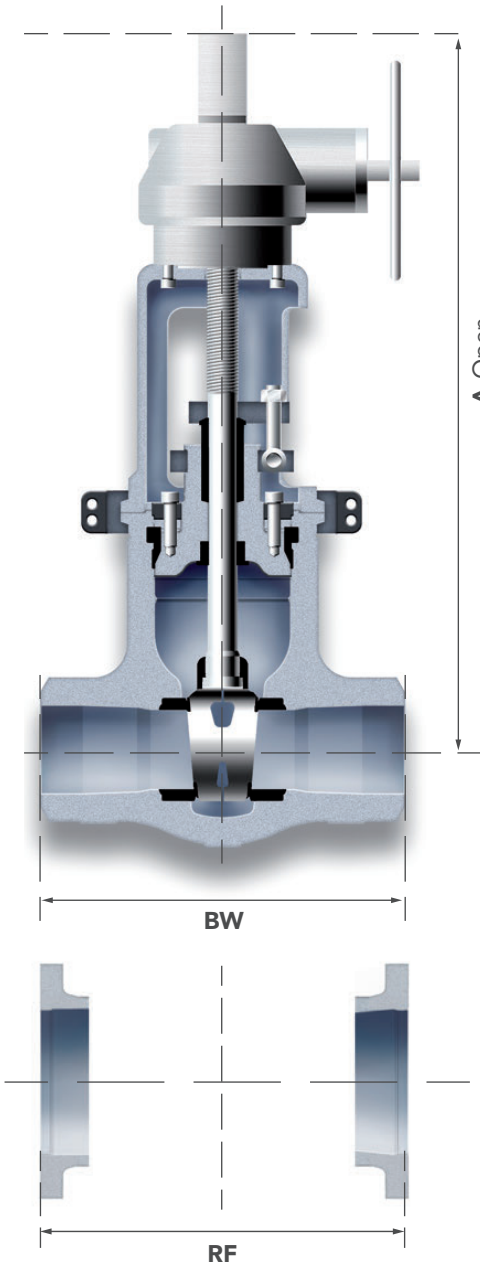
ANSI 4500 lbs
25845 Raised face
25745 Butt weld

All sizes
RF ends
BW ends

ANSI 1500 lbs
25815 Raised face
25715 Butt weld

All sizes
RF ends
BW ends

dimensions & weights chart



asme class

600

900

1500

2500

4500

SIZE	2"	2 1/2"	3"	4"	6"	8"	10"	12"	14"	16"	18"	20"	24"	26"	28"	32"	36"
RF	292.1	330.2	355.6	431.8	558.8	660.4	787.4	838.2	889	990.5	1092.2	1193.8	1397	1447	1549	1778	2082
RJ	295.1	333.2	358.6	434.8	561.8	663.4	790.4	841.2	892	993.6	1095.2	1200.1	1406.6	1456.6	1158.6	1787.6	2091.5
A	177.8	215.9	254	304.8	457.2	548.2	711.2	812.8	889	990.5	1092.2	1193.8	1397	1447	1549	1778	2082
B	500	533	686	813	1067	1168	1397	1626	1753	1981	2108	2489	2794	2990	3150	3550	3800
WEIGHT (BW)	30	32	48	78	166	275	434	600	884	1177	1527	2395	3409	3950	4750	8950	8175
SIZE	2"	2 1/2"	3"	4"	6"	8"	10"	12"	14"	16"	18"	20"	24"	25"	30"	36"	
RF	368.3	419.1	381	457.2	609.6	736.6	838.2	965.2	1028.7	1130.3	1219.2	1320.8	1549.4	1574	1778	2032	
RJ	371.3	422.1	384	460.2	612.6	739.6	841.2	968.2	1038.3	1139.9	1231.9	1333.5	1568.4	1593.5	1797	2051	
A	215.9	304.8	304.8	355.6	508	660.4	787.4	914.4	990.6	1092.2	1219.2	1320.8	1549.4	1574	1778	2032	
B	530	638	638	831	1072	1186	1500	1540	1725	1836	2220	2412	2650	2880	4060	4885	
WEIGHT (BW)	65	67	61	88	219	384	664	850	1480	1880	2760	3590	5350	5680	9000	13500	
SIZE	2"	2 1/2"	3"	4"	6"	8"	10"	12"	14"	16"	18"	20"	24"	28"	32"	36"	
RF	368.3	419.1	469.9	546.1	704.8	831.8	990.6	1130.3	1257.3	1384.3	1536.7	1663.7	1943.1	2209	2413	2565	
RJ	371.3	422.1	472.9	549.1	711.1	841.4	1000.2	1146	1276.3	1406.6	1559	1686	1971.5	2228	2432	2584	
A	215.9	254	304.8	406.4	558.8	711.2	863.5	990.6	1066.8	1193.8	1346	1473.2	1752.6	2209	2413	2565	
B	530	758	758	861	1002	1080	1490	1530	1850	1960	1950	2385	2795	3405	4150	4950	
WEIGHT (BW)	65	73	73	160	330	566	936	1280	2050	2415	3712	4500	7150	9650	13250	16150	
SIZE	2"	2 1/2"	3"	4"	6"	8"	10"	12"	14"	16"	18"	20"	24"	28"	32"	36"	
RF	450.8	508	577.8	673.1	914.4	1022.3	1270	1422.4	-	-	-	-	-	-	-	-	
RJ	453.8	514.3	584.1	682.7	927.1	1038	1292.3	1444.7	-	-	-	-	-	-	-	-	
A	279.4	330.2	368.3	457.2	609.6	762	914.4	1041.4	1117.6	1244.6	1397	1397	1625	1905	2184	2413	
B	515	736	736	840	1000	1220	1484	1680	1842	1988	2250	2510	2950	3450	4150	4900	
WEIGHT (BW)	120	138	146	210	396	685	1326	2066	2680	3250	4350	5680	8300	11500	17700	21000	
SIZE	2"	2 1/2"	3"	4"													
RF	-	-	-	-													
RJ	-	-	-	-													
A	-	514.3	514.3	432													
B	-	806	806	806													
WEIGHT (BW)	-	418	416	508													

All dimensions are shown in millimeters and weights in Kg.
 Gear actuator is recommended for: ASME Class 600/900/1500: ≥10"
 ASME Class 2500: ≥6"